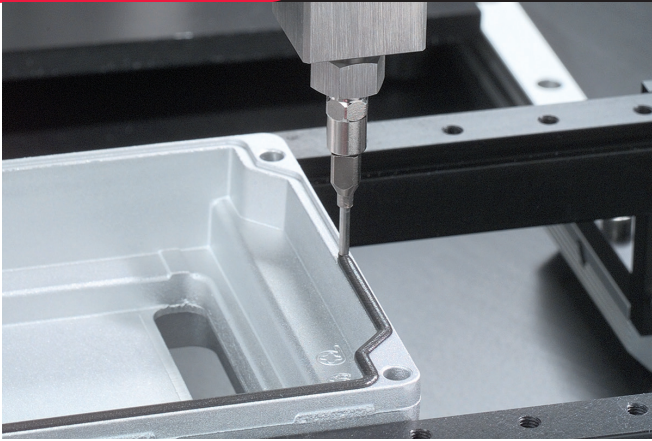




INNOVATION. **PRECISION.** EXCELLENCE.



## Valve Specifications

### Dimensions

201 mm x 29.21 mm x 29.21 mm  
(7.9 in x 1.15 in x 1.15 in)

### Weight

19 oz

### Viscosity Range

1 cps - Paste

### Operating Air Pressure

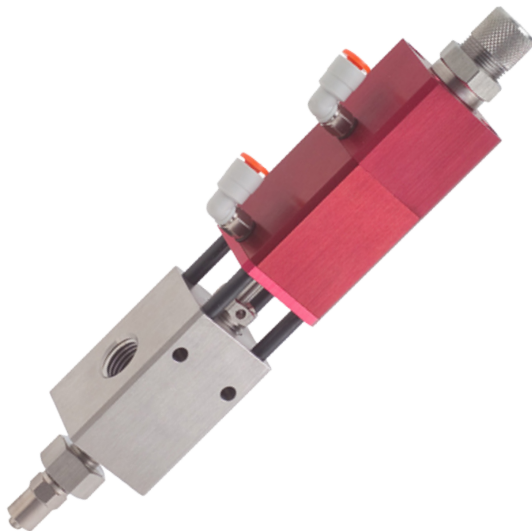
60 - 100 psi

### Maximum Inlet Fluid Pressure

3500 psi

### Wetted Components

Stainless Steel, Viton, Carbide, Teflon®



## FC300-C

### Stainless Steel/Carbide Needle Valve

The FC300-C is a versatile high flow dispensing valve for any single component bead, dot, potting, or encapsulation project. Featuring a lightweight, compact design, the FC300-C is perfect for both automated and handheld processes in which a high volume of material is dispensed.

The FC300-C has many integrated features including:

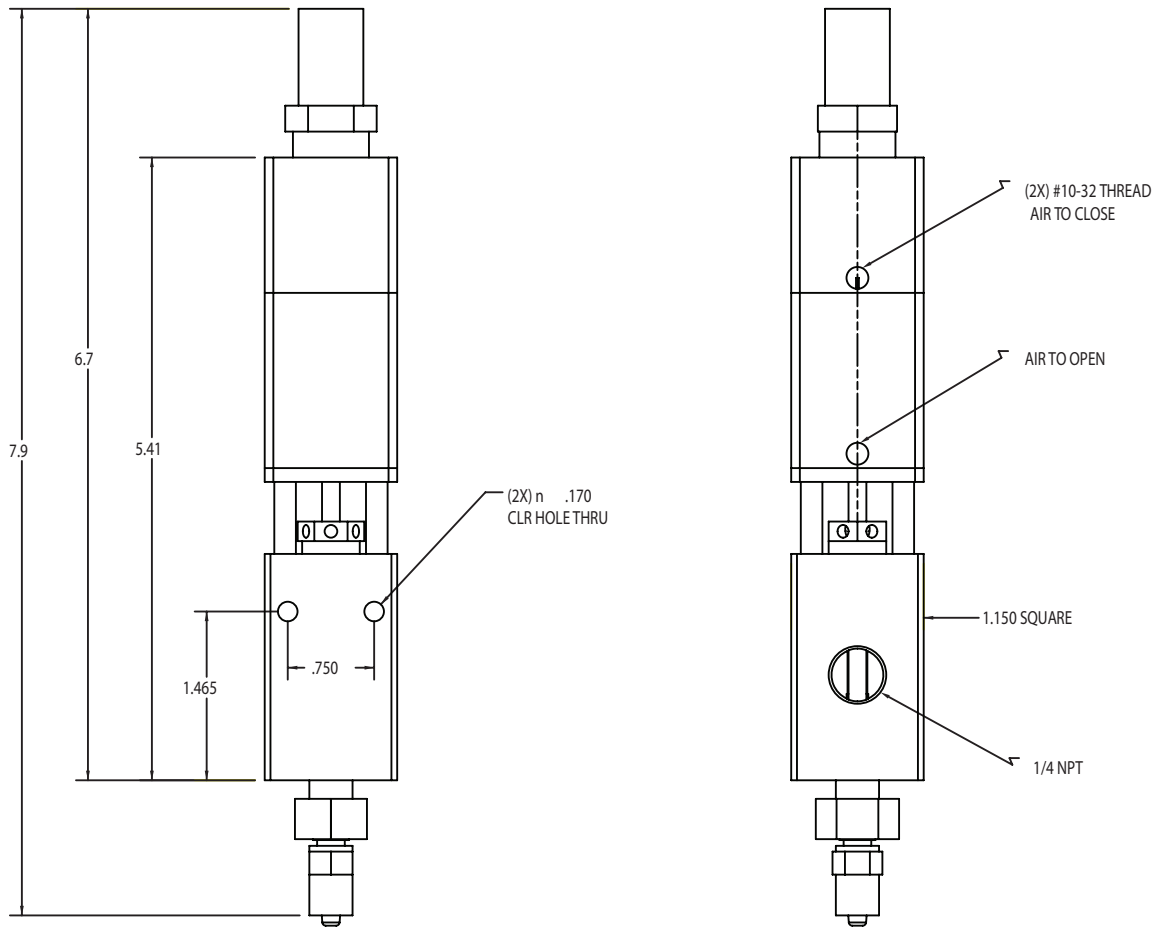
- Divorced valve design prevents material contamination of the air section
- Carbide wetted parts for reliable processing of filled materials
- Stainless steel fluid body for superior material compatibility
- 1/4" NPT fluid port allows higher flow rates
- Adjustable flow control
- Spring-assisted valve closure for reliable cycle stops
- Compatible with all Luer-Lok™ needle tips

For more information, please contact PVA at [info@pva.net](mailto:info@pva.net) or contact your local representative.

Luer Lok™ is a Becton Dickinson and Co. trademark.  
Teflon® is a registered trademark of Dupont.

Headquarters  
6 Corporate Drive | Halfmoon, NY 12065  
tel +1 518 371 2684 | fx +1 518 371 2688  
[www.pva.net](http://www.pva.net) | [info@pva.net](mailto:info@pva.net)

# FC300-C Mounting Dimensions



All dimensions provided in inches