



INNOVATION. **PRECISION.** EXCELLENCE.



Valve Specifications

Dimensions

Single Body

1.5 in x 1.5 in x 4.2 in
(38.1 mm x 38.1 mm x 106.68 mm)

Dual Body

1.5 in x 3.0 in x 4.2 in
(38.1 mm x 76.2 mm x 106.68 mm)

Weight

Single Body: 1.5 lbs

Dual Body: 3.0 lbs

Operating Air Pressure

80 - 100 psi

Maximum Fluid Pressure

3500 psi

Available Wetted Components

Carbide; Stainless Steel or Aluminum; Urethane or Polymyte; Viton or Teflon®

Material Inlet

1/4" NPT

Manifold Mount*

Viscosity Range

Viscous Liquid to Paste



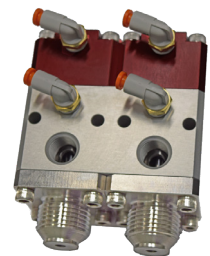
FCC150-AL-V-1-2



FCC150-AL-V-2-2



FCC150-AL-V-5-2-S



FCC250-AL-V-2-2

FCC Series High Flow Dispense Valve

The Front Closing Carbide valve family offers high pressure, no-drip shutoff for a wide variety of applications. A short stroke length allows for immediate on and off control of material dispense. Tungsten carbide sealing components provide extended life in adverse abrasive dispensing applications. An unrestricted internal design allows for free flow of high viscosity fluids.

Highly customizable, the FCC Series valve offers a number of configurations which can be tailored to fit every manufacturing process. Many of these configuration options are kept in stock for easy ordering and swift delivery.

Available options and integrated features include:

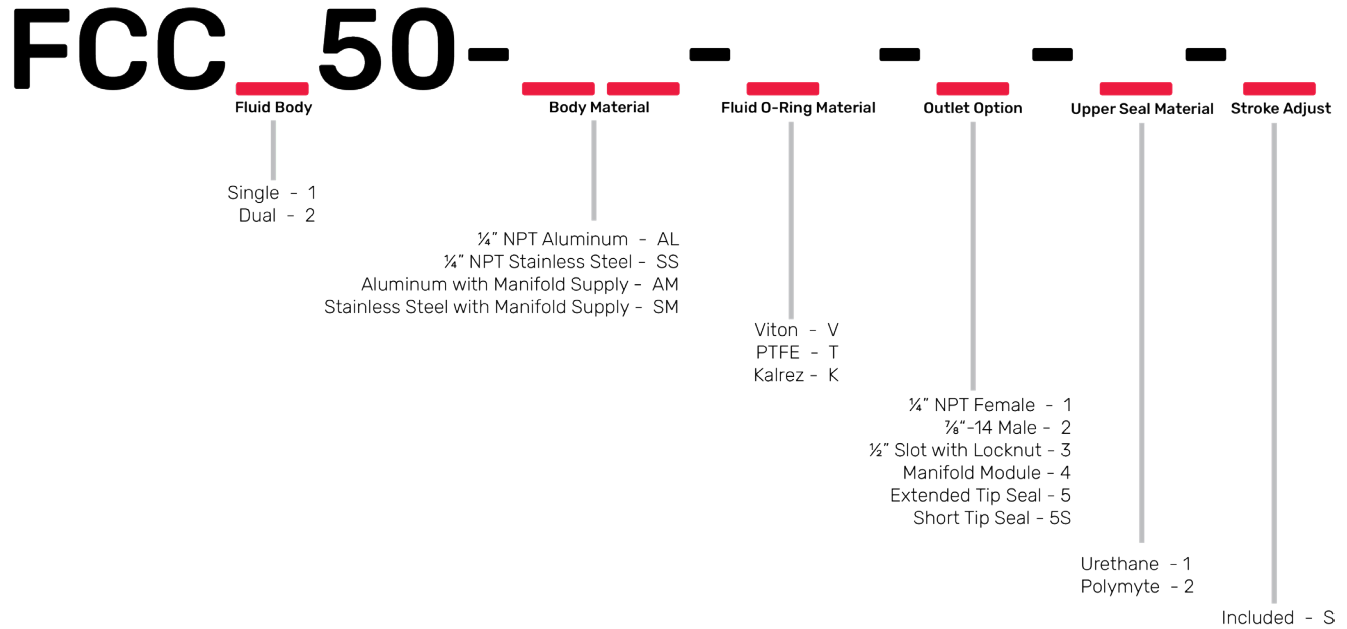
- Tungsten carbide tipped sealing rod and seat
- Easy Maintenance, assembly drawings and spare parts kits available upon request.
- Variety of outlet manifolds and nozzles available
- Available in stainless steel or aluminum fluid section

For more information, please contact PVA at info@pva.net or contact your local representative.

Teflon® is a registered trademark of Dupont.

Headquarters
6 Corporate Drive | Halfmoon, NY 12065
tel +1 518 371 2684 | fx +1 518 371 2688
www.pva.net | info@pva.net

Custom FCC Series Valve Building Tool



Fluid Body

Part Number	Component	Fluid Body
1		Single
2		Dual

Outlet Option

Part Number	Component	Outlet Option
1		1/4" NPT Female
2		7/8" - 14 Male
3		1/2" Slot with Locknut
4		Manifold Module
5	5S	Extended Tip Seal Short Tip Seal

Body Material

Part Number	Component	Body Material
AL		Aluminum
SS		Stainless Steel
AM		Aluminum with Manifold Supply
SM		Stainless Steel with Manifold Supply

Upper Seal Material

Part Number	Component	Fluid Body
1		Urethane
2		Polymyte

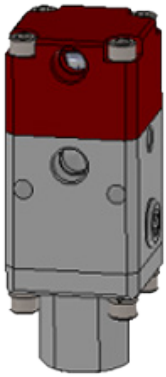
Fluid O-Ring Material

Part Number	Component	Fluid O-Ring Material
V		Viton
T		PTFE
K		Kalrez

Stroke Adjust

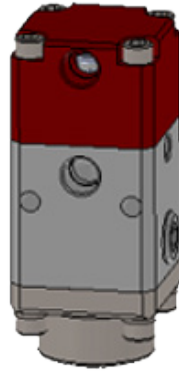
Part Number	Component	Body Material
S		Included
N/A		Excluded

Common Configurations



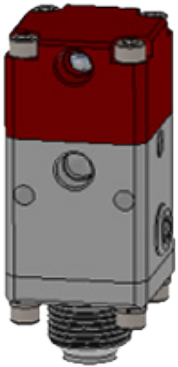
FCC150-AL-V-1-2

- Single Fluid Body
- Aluminum Body
- Viton Fluid O-Ring Material
- 1/4" NPT Female Outlet Option
- Polymyte Upper Seal Material



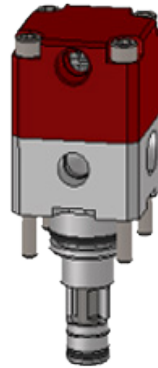
FCC150-AL-V-3-2

- Single Fluid Body
- Aluminum Body
- Viton Fluid O-Ring Material
- 1/2" Slot with Locknut
- Polymyte Upper Seal Material



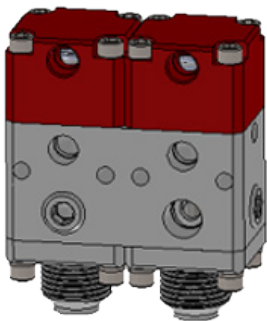
FCC150-AL-V-2-2

- Single Fluid Body
- Aluminum Body
- Viton Fluid O-Ring Material
- 7/8" - 14 Male Outlet Option
- Polymyte Upper Seal Material



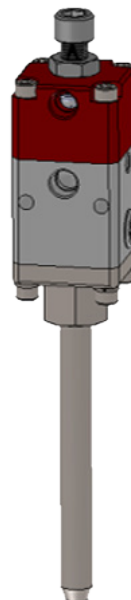
FCC150-AL-V-4-2

- Single Fluid Body
- Aluminum Body
- Viton Fluid O-Ring Material
- Manifold Module
- Polymyte Upper Seal Material



FCC250-AL-V-2-2

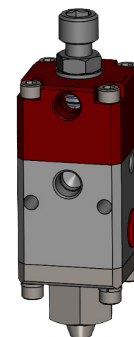
- Dual Fluid Body
- Aluminum Body
- Viton Fluid O-Ring Material
- 7/8" - 14 Male Outlet Option
- Polymyte Upper Seal Material



FCC150-AL-V-5-2-S

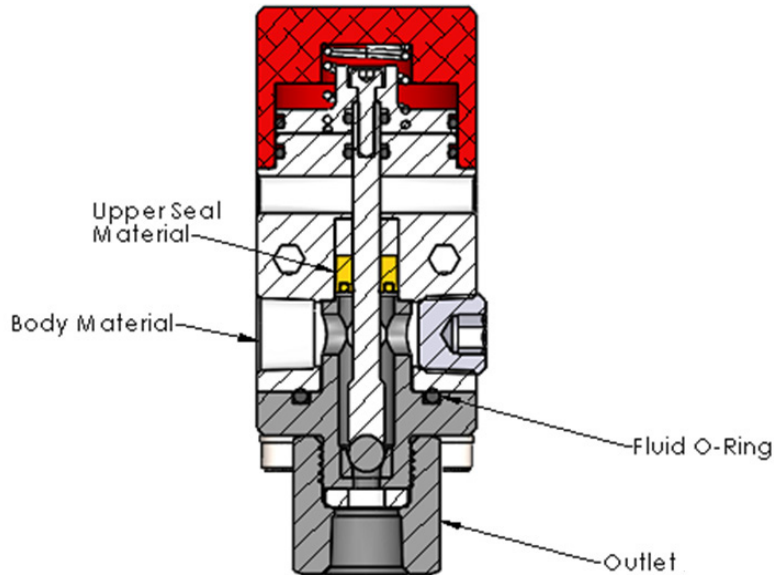
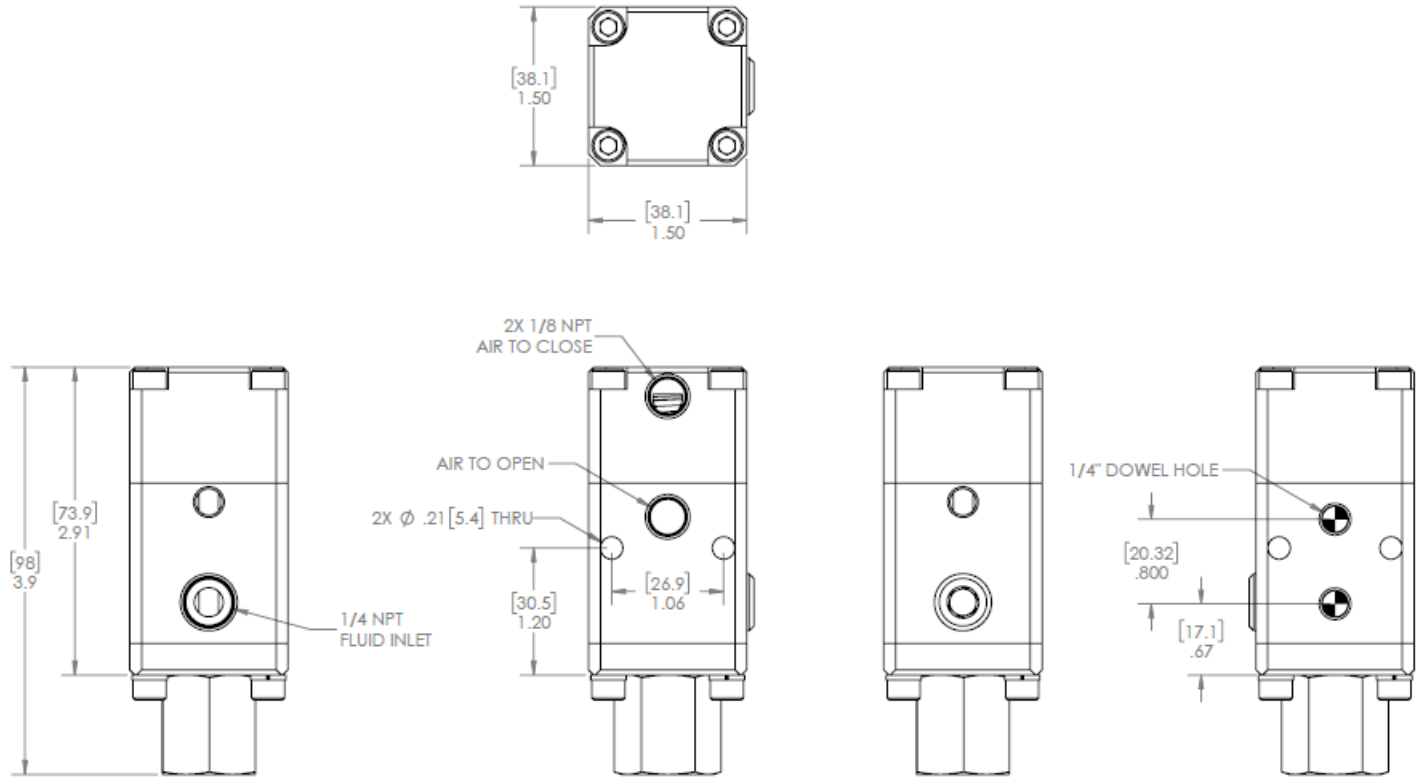
FCC150-AL-V-5S-2-S*

- Single Fluid Body
- Aluminum Body
- Viton Fluid O-Ring Material
- Extended Tip Seal
- Short Tip Seal*
- Polymyte Upper Seal Material
- Stroke Adjust



Mounting Dimensions

Depending on the specific configuration chosen, dimensions may vary. Please contact your local representative for accurate dimensions.



Cross Section Example (FCC150-AL-V-1-2)

Note: Dimensions are listed in millimeters and inches