



INNOVATION. PRECISION. EXCELLENCE.



## Valve Specifications

### Dimensions

#### Single Body

1.5 in x 1.5 in x 4.2 in  
(38.1 mm x 38.1 mm x 106.68 mm)

#### Dual Body

1.5 in x 3.0 in x 4.2 in  
(38.1 mm x 76.2 mm x 106.68 mm)

### Weight

**Single Body:** 1.5 lbs

**Dual Body:** 3.0 lbs

### Operating Air Pressure

80 - 100 psi

### Maximum Fluid Pressure

3500 psi

### Available Wetted Components

Carbide; Stainless Steel or Aluminum; Urethane or Polymyte; Viton or Teflon

### Material Inlet

1/4" NPT  
Manifold Mount\*

### Viscosity Range

Viscous Liquid to Paste

## FCC Series High Flow Dispense Valve

The Front Closing Carbide valve family offers high pressure, no-drip shutoff for a wide variety of applications. A short stroke length allows for immediate on and off control of material dispense. Tungsten carbide sealing components provide extended life in adverse abrasive dispensing applications. An unrestricted internal design allows for free flow of high viscosity fluids.

Highly customizable, the FCC Series valve offers a number of configurations which can be tailored to fit every manufacturing process. Many of these configuration options are kept in stock for easy ordering and swift delivery.

Available options and integrated features include:

- Tungsten carbide tipped sealing rod and seat
- Easy Maintenance, assembly drawings and spare parts kits available upon request.
- Variety of outlet manifolds and nozzles available
- Available in stainless steel or aluminum fluid section

**For more information, please contact Josh Anderson at [janderson@pva.net](mailto:janderson@pva.net) or (518) 371-2684.**



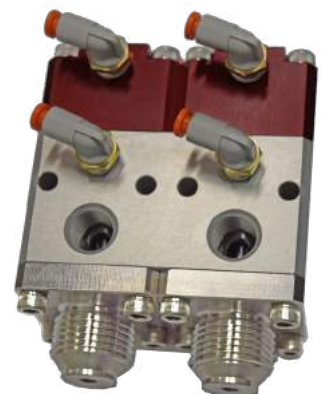
FCC150-AL-V-1-2



FCC150-AL-V-2-2



FCC150-AL-V-5-2-S

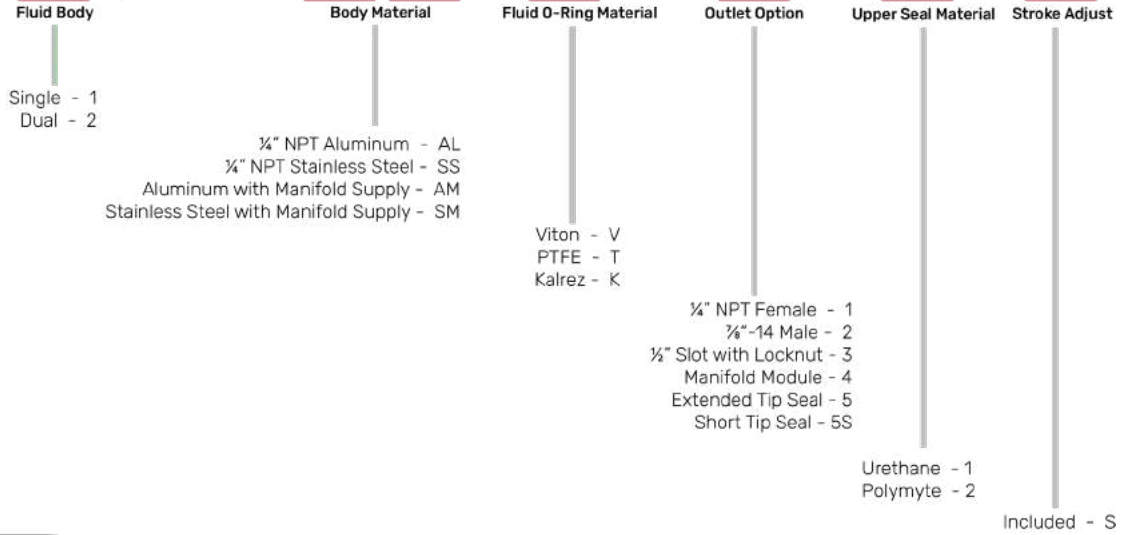


FCC250-AL-V-2-2

One Mustang Drive | Cohoes, NY 12047  
tel 518 371 2684 | fx 518 371 2688  
[www.pva.net](http://www.pva.net)

# Custom FCC Series Valve Building Tool

## FCC 50-



### Fluid Body

Part Number Component	Fluid Body
1	Single
2	Dual

### Body Material

Part Number Component	Body Material
AL	Aluminum
SS	Stainless Steel
AM	Aluminum with Manifold Supply
SM	Stainless Steel with Manifold Supply

### Fluid O-Ring Material

Part Number Component	Fluid O-Ring Material
V	Viton
T	PTFE
K	Kalrez

### Outlet Option

Part Number Component	Outlet Option
1	¼" NPT Female
2	7/8" - 14 Male
3	½" Slot with Locknut
4	Manifold Module
5 5S	Extended Tip Seal Short Tip Seal

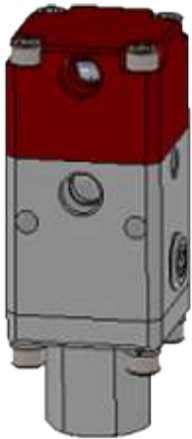
### Upper Seal Material

Part Number Component	Body Material
1	Urethane
2	Polymyte

### Stroke Adjust

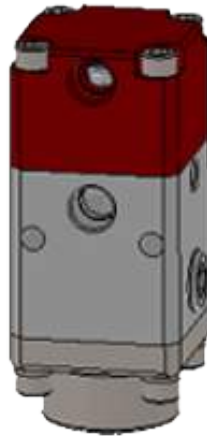
Part Number Component	Body Material
S	Included
N/A	Excluded

# Common Configurations



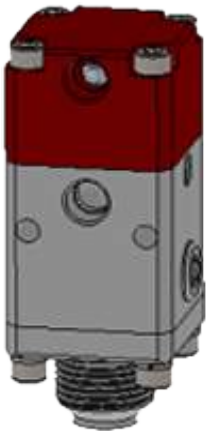
## FCC150-AL-V-1-2

- Single Fluid Body
- Aluminum Body
- Viton Fluid O-Ring Material
- 1/4" NPT Female Outlet Option
- Polymyte Upper Seal Material



## FCC150-AL-V-3-2

- Single Fluid Body
- Aluminum Body
- Viton Fluid O-Ring Material
- 1/2" Slot with Locknut
- Polymyte Upper Seal Material



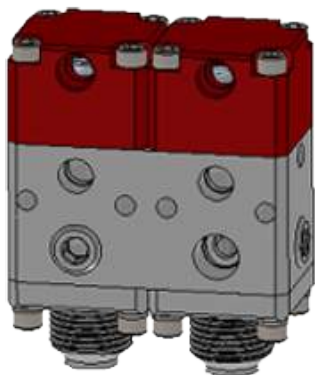
## FCC150-AL-V-2-2

- Single Fluid Body
- Aluminum Body
- Viton Fluid O-Ring Material
- 7/8" - 14 Male Outlet Option
- Polymyte Upper Seal Material



## FCC150-AL-V-4-2

- Single Fluid Body
- Aluminum Body
- Viton Fluid O-Ring Material
- Manifold Module
- Polymyte Upper Seal Material



## FCC250-AL-V-2-2

- Dual Fluid Body
- Aluminum Body
- Viton Fluid O-Ring Material
- 7/8" - 14 Male Outlet Option
- Polymyte Upper Seal Material



## FCC150-AL-V-5-2-S FCC150-AL-V-5S-2-S\*

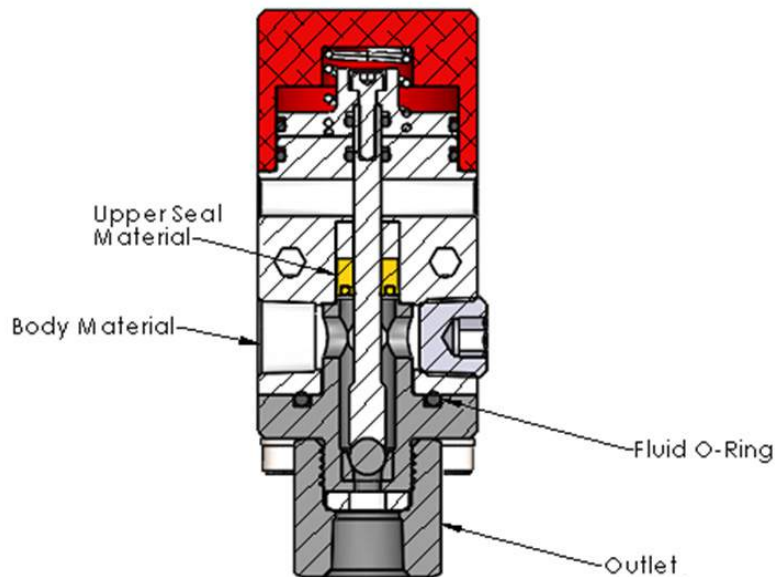
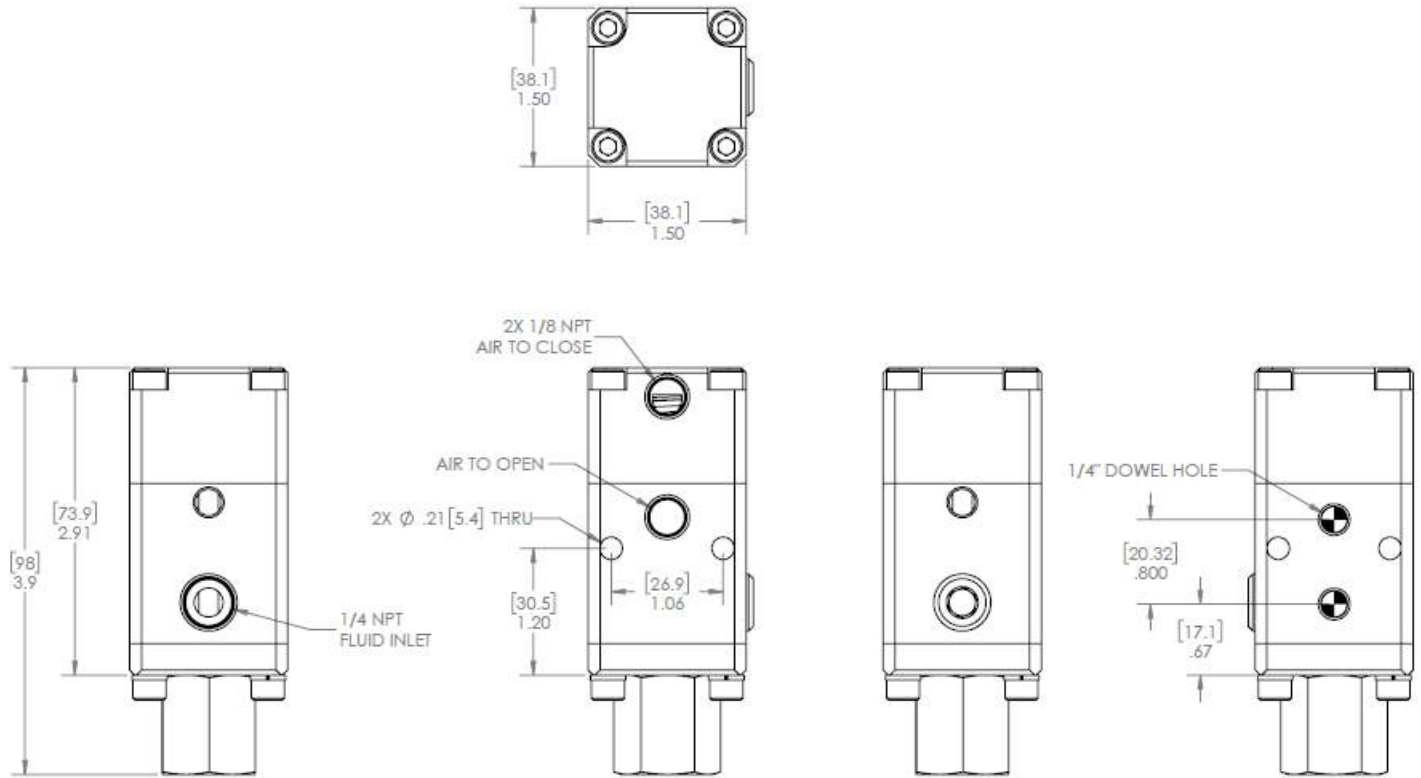
- Single Fluid Body
- Aluminum Body
- Viton Fluid O-Ring Material
- Extended Tip Seal
- Short Tip Seal\*
- Polymyte Upper Seal Material
- Stroke Adjust



# Mounting Dimensions

Note: Dimensions are listed in millimeters and inches.

***Depending on the specific configuration chosen, dimensions may vary. Please reach out to your local representative for accurate dimensions.***



**Cross Section Example (FCC150-AL-V-1-2)**