



INNOVATION. **PRECISION.** EXCELLENCE.



Valve Specifications

Dimensions

168.4mm x 22mm x 22mm
(6.63 in x 0.866 in x 0.866 in)

Weight

9 oz

Viscosity Range

1 cps - Paste

Operating Air Pressure

60 - 100 psi

Maximum Inlet Fluid Pressure

2500 psi

Wetted Components

Stainless Steel, Teflon®, Kalrez®

Transfer Efficiency

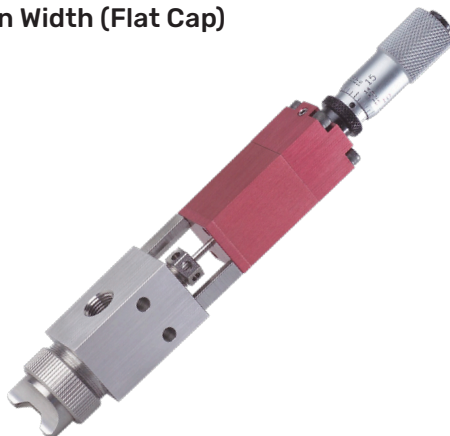
99%

Spray Pattern Width (Round Cap)

0.125 in - 1 in

Spray Pattern Width (Flat Cap)

0.75 in - 2+ in



FCS300 Stainless Steel Spray Valve

The FCS300 spray valve provides a repeatable, concentrated coating film in circular pattern widths ranging from 0.25" to over 2". The atomized spray process resulting from the FCS300 will produce conical (round cap) or fan-shaped (flat cap) patterns with transfer efficiencies in excess of 99%. The FCS300 features a micrometer flow adjustment that makes fine tuning your process easier than ever.

The FCS300 has many integrated features including:

- Low pressure, low volume atomized process
- 300 series stainless steel fluid body for superior material compatibility
- Interchangeable spray cap offers fan and oval-shaped patterns
- Micrometer flow adjustment with lock nut
- Divorced valve design prevents material contamination of the air section
- Compatible with all commercially available conformal coatings
- Wide viscosity range offers versatility for virtually any spray application

For more information, please contact PVA at info@pva.net or contact your local representative.

Teflon® and Kalrez® are registered trademarks of Dupont.

Headquarters
6 Corporate Drive | Halfmoon, NY 12065
tel +1 518 371 2684 | fx +1 518 371 2688
www.pva.net | info@pva.net

FCS300 Mounting Dimensions

