



**WHERE
PRECISION
DRIVES
PRODUCTION**

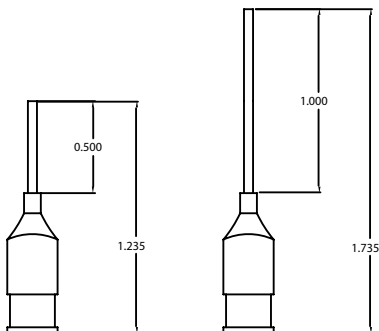
G-Series Dispense Needles All Metal Reusable Needles

PVA's all metal reusable needles feature a nickel plated brass hub and a stainless steel canula for superior chemical resistance and durability. With an all metal construction, these needles can be used in applications where fluids are being dispensed under higher pressures typically generated by pump systems. A square tab luer lock design easily threads into helical steel luer lock adapters.

G-Series		
	½" Length	1" Length
Gauge	Part Number	Part Number
8	PV-08G-0.5	PV-08G-1
10	PV-10G-0.5	PV-10G-1
11	PV-11G-0.5	PV-11G-1
12	PV-12G-0.5	PV-12G-1
13	PV-13G-0.5	PV-13G-1
14	PV-14G-0.5	PV-14G-1
15	PV-15G-0.5	PV-15G-1
16	PV-16G-0.5	PV-16G-1
18	PV-18G-0.5	PV-18G-1
19	PV-19G-0.5	PV-19G-1
20	PV-20G-0.5	PV-20G-1
21	PV-21G-0.5	PV-21G-1
22	PV-22G-0.5	PV-22G-1
23	PV-23G-0.5	PV-23G-1
25	PV-25G-0.5	PV-25G-1
27	PV-27G-0.5	PV-27G-1

*Custom Canula Lengths Available Upon Request (up to 4 in)

Needle Gauge Diameter				
Gauge	Inside Diameter		Outside Diameter	
	in	mm	in	mm
8	0.135	3.42	0.165	4.19
10	0.116	2.95	0.134	3.40
11	0.094	2.39	0.120	3.05
12	0.085	2.16	0.109	2.77
13	0.071	1.80	0.095	2.41
14	0.063	1.60	0.083	2.11
15	0.054	1.37	0.072	1.83
16	0.047	1.19	0.065	1.65
18	0.033	0.84	0.050	1.27
19	0.027	0.69	0.043	1.09
20	0.023	0.58	0.036	0.91
21	0.020	0.51	0.032	0.81
22	0.016	0.41	0.028	0.71
23	0.013	0.33	0.025	0.64
25	0.010	0.25	0.020	0.51
27	0.008	0.20	0.016	0.41



Luer Lock Caps
Part Number: PVA-LLCAP-X