



INNOVATION. **PRECISION.** EXCELLENCE.



Valve Specifications

Dimensions

167.64 mm x 68.58 mm x 22.23 mm
(6.60 in x 2.70 in x 0.875 in)

Weight

22 oz

Viscosity Range

1 cps - 100,000 cps

Operating Air Pressure

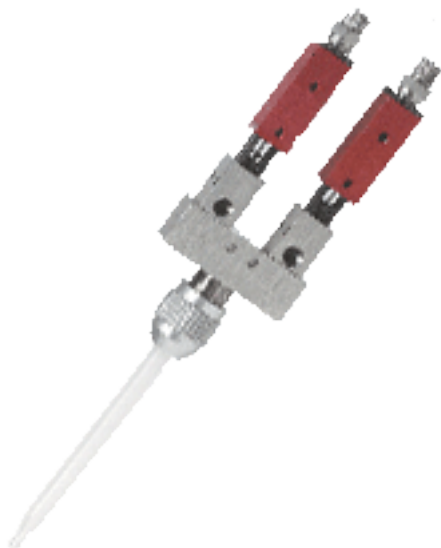
30-100 PSI

Maximum Fluid Pressure

500 PSI

Wetted Parts

Stainless Steel, Viton, Teflon®



PC100

Plural Component Mixing Valve

The PC100 is ideal for any plural component bead, dot, potting, or encapsulation project. The PC100 is perfect for any handheld or automated meter-mix process. PVA will easily integrate the PC100 with our programmable meter-mix solutions. The PC100 is compatible with oversized bell inlet disposable static mixers.

The PC100 has many integrated features including:

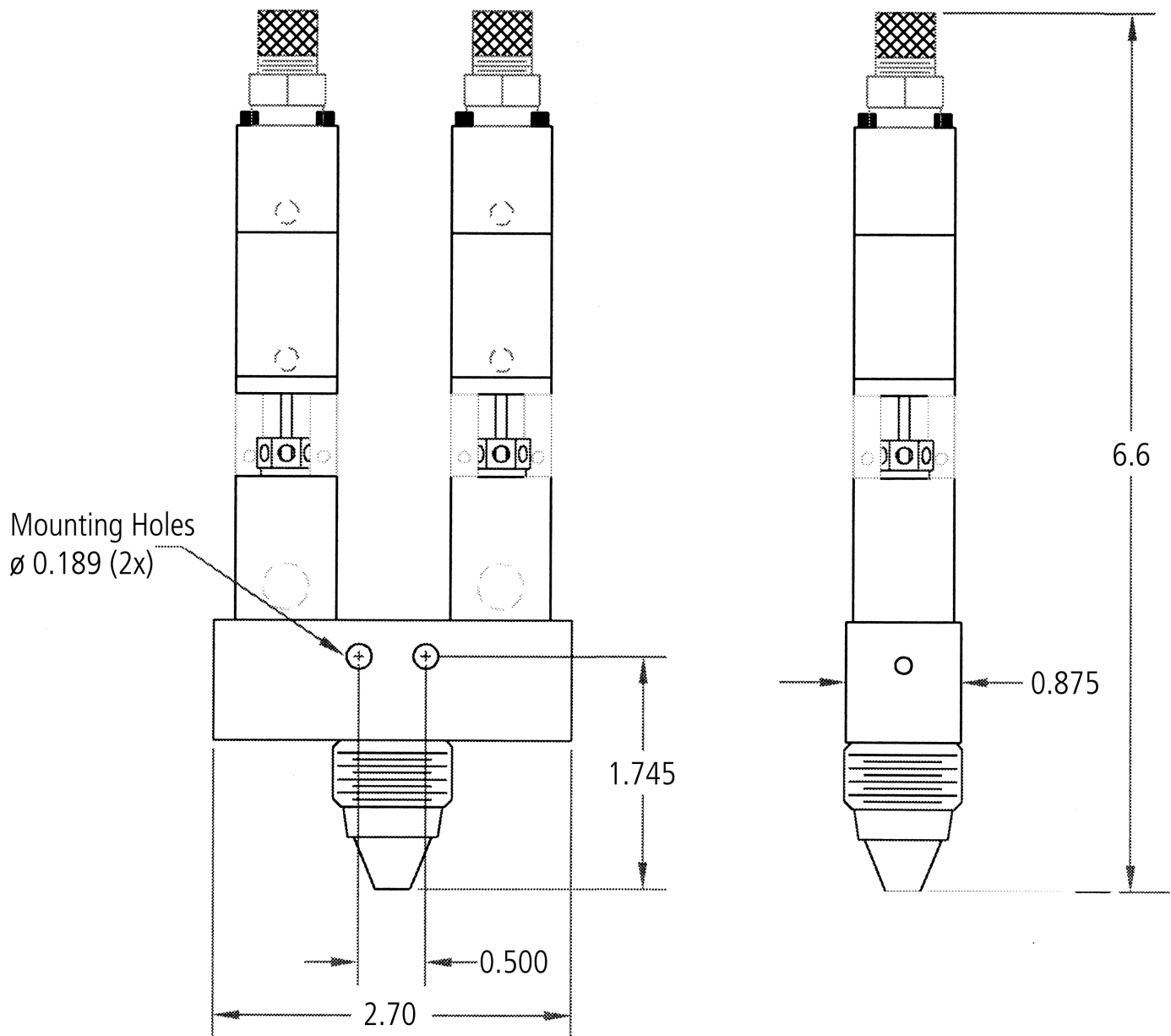
- Stainless steel fluid body for superior material compatibility
- Divorced valve design prevents material contamination of the air body
- Separate material paths prevent mixing prior to leaving the valve body
- Reversible valve seat
- Spring-assisted valve closure for reliable cycle stops
- High pressure capability allows for consistent processing of viscous materials

PVA also offers the following products to improve your dispensing application:

PC300	High volume plural component mixing valve
-------	---

For more information, please contact PVA at info@pva.net or contact your local representative.

PC100 Mounting Dimensions



Measurements shown in inches, scaled at 1:2.