



**WHERE  
PRECISION  
DRIVES  
PRODUCTION**



## VALVE SPECIFICATIONS

### Dimensions

158.1mm x 30mm x 30mm  
(6.22" x 1.18" x 1.18")

### Weight

550g

### Viscosity Range

1 - 500,000cps (unfilled)

### Operating Air Pressure

60 - 100psi

### Maximum Inlet Fluid Pressure

1500psi

### Wetted Components

Stainless Steel, FFKM

### Transfer Efficiency

99%

## PC150

### Compact Two Part Dispense Valve

The PC150 Two Part Dispense Valve is designed to mix and apply wide viscosity unfilled fluids in bead, dot, or fill patterns. Its compact design and small wetted fluid path allows for processing of short pot life chemistries. It is ideal for plural component dispensing applications and can be integrated with PVA automated equipment or used in a handheld dispensing operation.

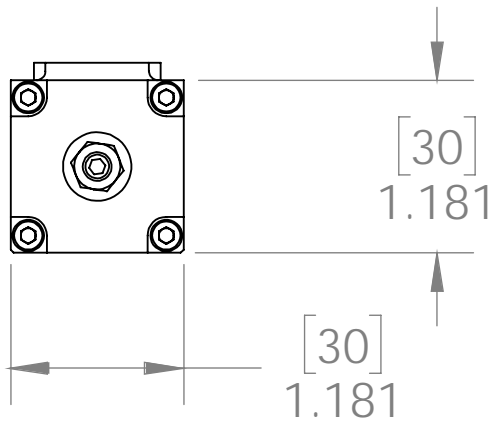
The PC150 has many integrated features including:

- Standard static mixer holds only 0.5ml of fluid
- Able to be used in 3 or 4 axis coating/dispensing machines
- Low pressure, low volume atomized process
- Stainless steel fluid body for superior material compatibility
- Divorced valve design prevents material contamination of the air section
- Separate material paths prevent mixing prior to material entering the static mixer
- Adjustable piston stroke for cleaner valve shutoff

For more information, please contact PVA at [info@pva.net](mailto:info@pva.net) or (518) 371-2684.



# PC150 Mounting Dimensions



1/8" NPT PORT

