



INNOVATION. **PRECISION.** EXCELLENCE.



## Pump Specifications

### Operating Temperature

10 - 40°C (50 - 104°F)

### Viscosity Range

1 - 500,000+ cps

### Max Inlet Fluid Pressure

85 psi

### Wetted Components

Stainless Steel/FFKM  
Carbide/EPDM

**Dimensions, Flow Rate, and Fluid Inlet will vary based on pump size. See table on page 2.**



## PDP Series

### Progressive Cavity Dual Pump

The PDP Series of progressive cavity pumps bring superior volumetric accuracy to your most demanding two-component dispensing applications. Progressive cavity pumps feature a machined rotor that couples with a rubberized seal to assure drip-free operation with a wide range of viscous chemistries. Each servo-controlled rotor displaces a fixed volume of material per revolution. This true positive displacement process assures consistent volume regardless of slight material variations.

The PDP Series features independently controlled pumps for both resin and hardener allowing users the ability to customize their desired mix ratio. Five different rotor sizes span a wide range of flow rates. An optional carbide rotor is available for extended life when processing filled or abrasive chemistries.

The PDP Series has many additional integrated features including:

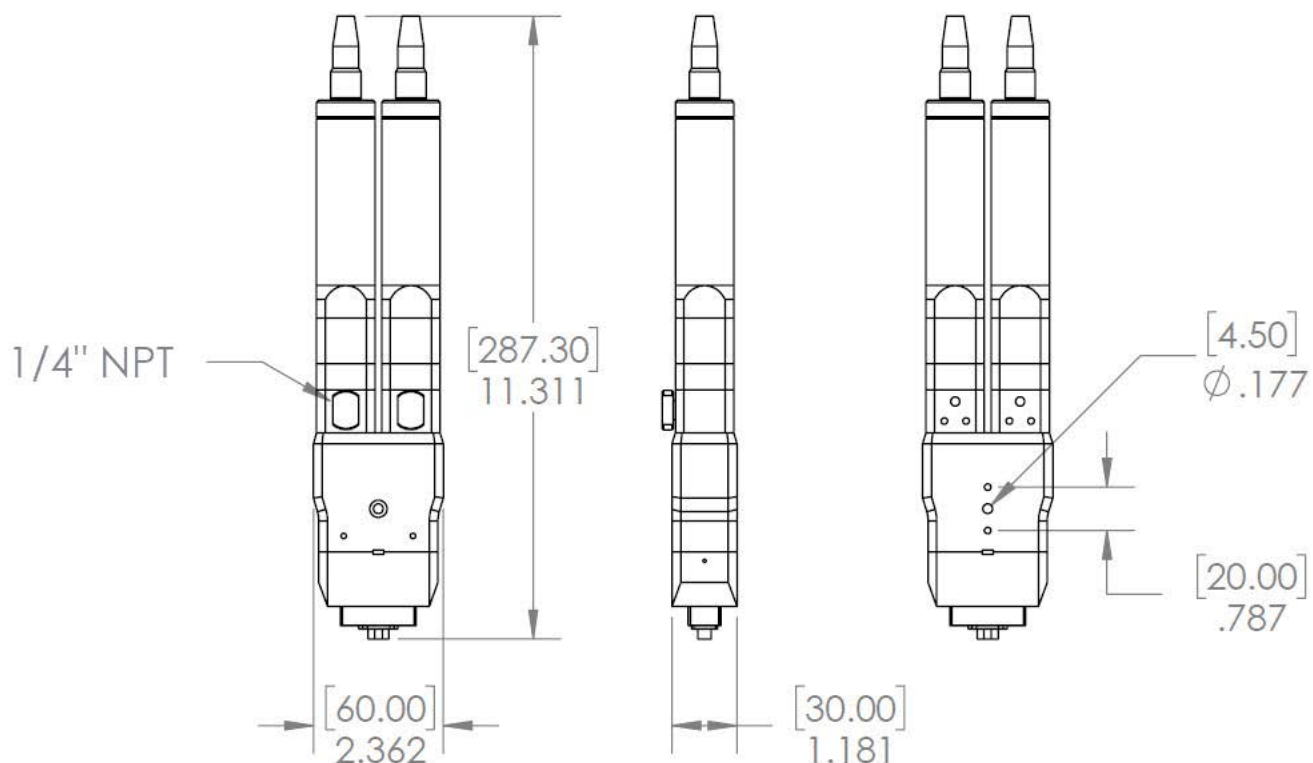
- Programmable flow rate and mix ratio (1:1 to 10:1)
- High precision dosing within +/-1%
- Continuous dispensing process for efficient operation and no refilling
- Self sealing operation prevents dripping
- Optional carbide rotor for abrasive chemistries

**For more information, please contact PVA at [info@pva.net](mailto:info@pva.net) or contact your local representative.**

REV C 8/5/20

Headquarters  
One Mustang Drive | Cohoes, NY 12047  
tel +1 518 371 2684 | fx +1 518 371 2688  
[www.pva.net](http://www.pva.net) | [info@pva.net](mailto:info@pva.net)

## PDP Mounting Dimensions



\*Dimensions may vary based on pump size

## Model Specifications

| Model Number | Flow Rate         | Dimensions (mm) | Fluid Inlet |
|--------------|-------------------|-----------------|-------------|
| PDP015       | 0.03 - 3.6 ml/min | 60 x 30 x 260   | 1/4" NPT    |
| PDP015-C     | 0.03 - 0.3 ml/min | 60 x 30 x 260   | 1/4" NPT    |
| PDP050       | 0.1 - 12 ml/min   | 60 x 30 x 260   | 1/4" NPT    |
| PDP050-C     | 0.1 - 1 ml/min    | 60 x 30 x 260   | 1/4" NPT    |
| PDP150       | 0.3 - 36 ml/min   | 67 x 35 x 310   | 1/4" NPT    |
| PDP150-C     | 0.3 - 3 ml/min    | 67 x 35 x 310   | 1/4" NPT    |
| PDP500       | 1 - 120 ml/min    | 67 x 35 x 310   | 1/4" NPT    |
| PDP500-C     | 1 - 10 ml/min     | 67 x 35 x 310   | 1/4" NPT    |
| PDP1000      | 2 - 240 ml/min    | 67 x 35 x 340   | 1/4" NPT    |
| PDP1000-C    | 2 - 20 ml/min     | 67 x 35 x 340   | 1/4" NPT    |

\*Based on 1:1 Ratio. Material Dependent